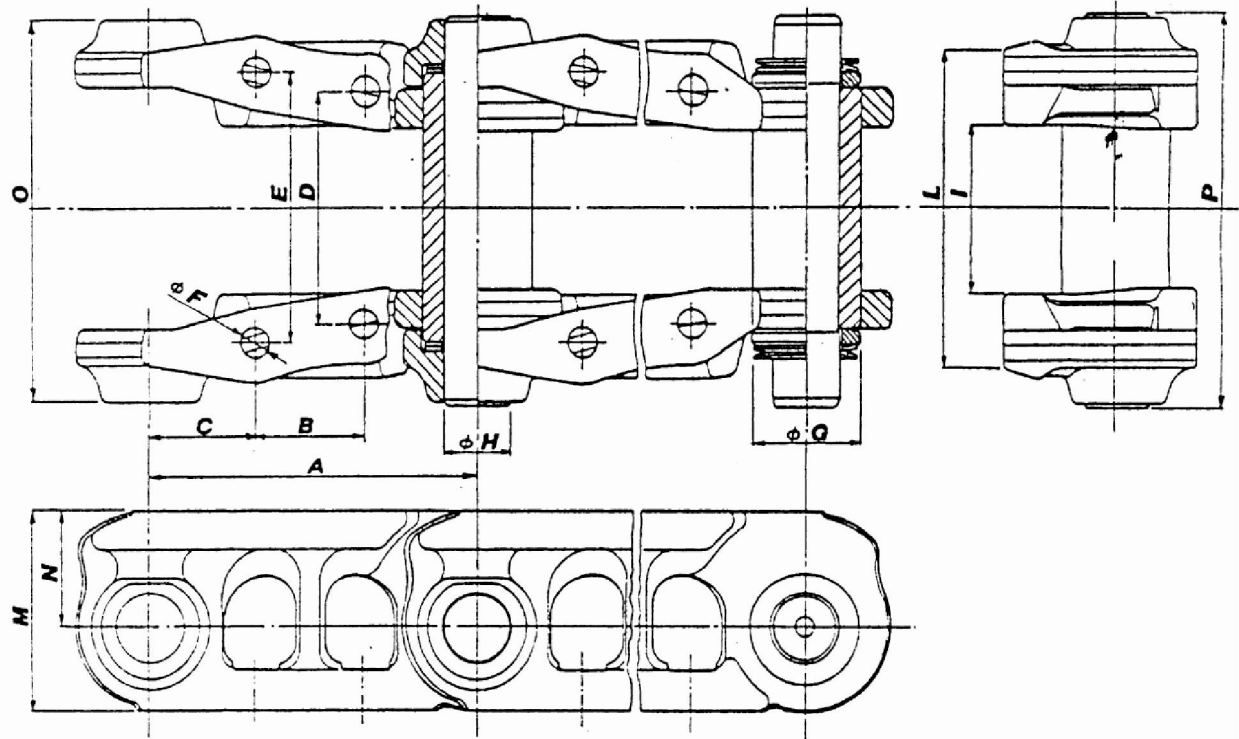


A:mm
 B:mm
 D:mm
 E:mm
 F:mm
 G:mm
 I:mm
 M:mm



Brand/Make: _____ Model: _____
 Serial Number: _____ Qty of Track Links: _____

Name:	Company:
Phone:	Email:
Parts required/comments:	

Please send form to TKV Plant and Machinery

Fax: 03 8786 3492 Email: sales@tkv.com.au Ph: 1300 65 11 43